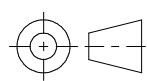
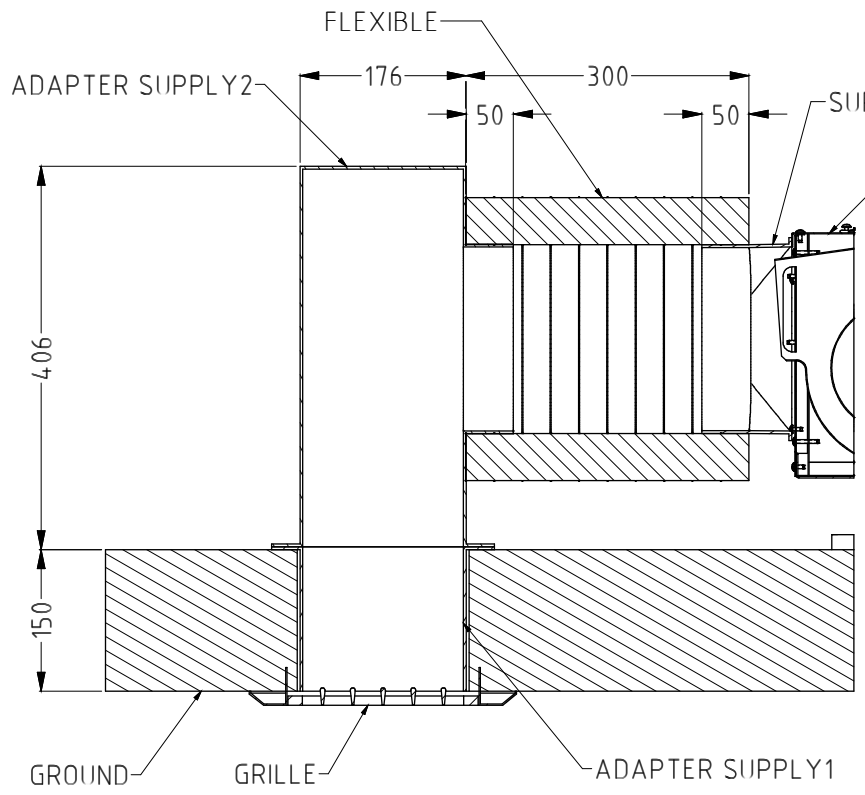


UNLESS OTHERWISE SPECIFIED:  
 DIMENSIONS ARE IN MM.  
 TOLERANCES :  $\pm 1.0$  MM.  
 ANGULAR :  $\pm 1^\circ$   
 DO NOT SCALE DRAWING

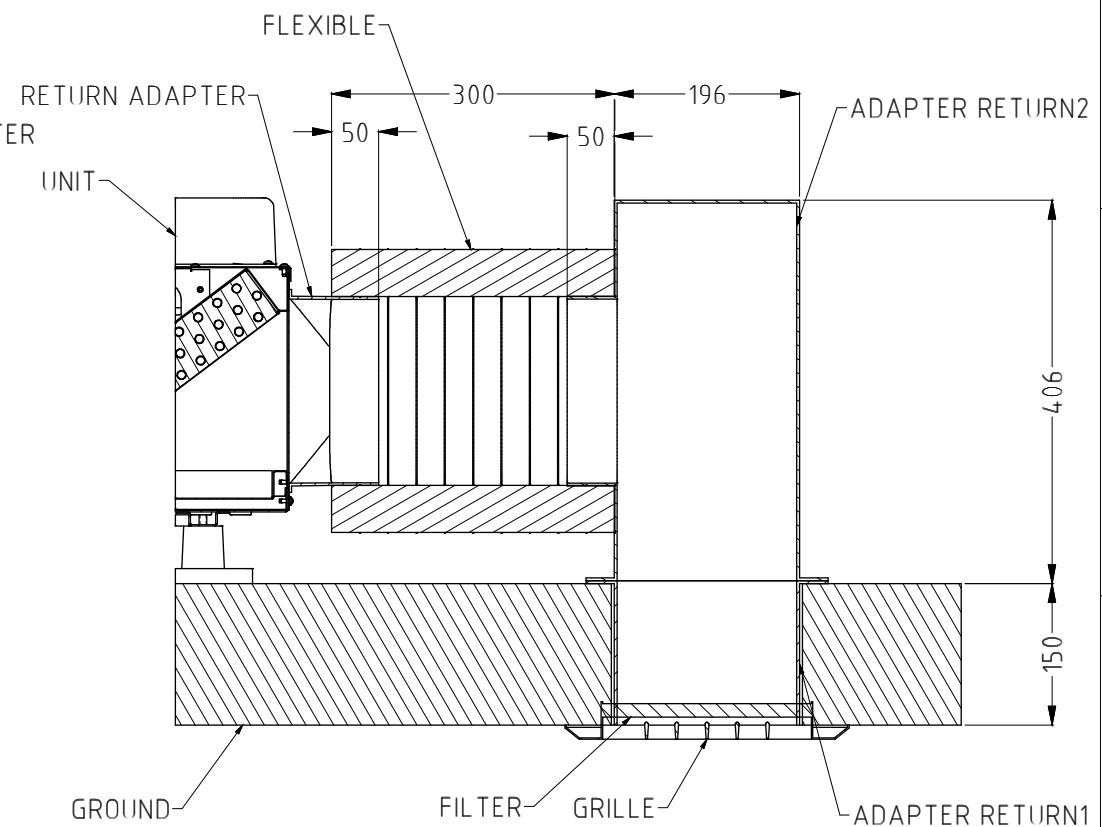
DRAW: Seree      DATE: 08/12/08  
 CHECKED :  
 APPROVED :  
 PAPER SIZE A4 SCALE :



<b>SAKURA</b>	
TITLE :	
<b>SRT-30RA</b>	
CODE NO :	REV



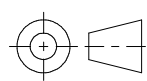
SECTION B-B



SECTION A-A

UNLESS OTHERWISE SPECIFIED:  
 DIMENSIONS ARE IN MM.  
 TOLERANCES :  $\pm 1.0$  MM.  
 ANGULAR :  $\pm 1^\circ$   
 DO NOT SCALE DRAWING

DRAW: Seree	DATE: 08/12/08
CHECKED :	
APPROVED :	
PAPER SIZE A4 SCALE :	



<b>SAKURA</b>	
TITLE :	
<b>SRT-30RA</b>	
CODE NO :	REV